

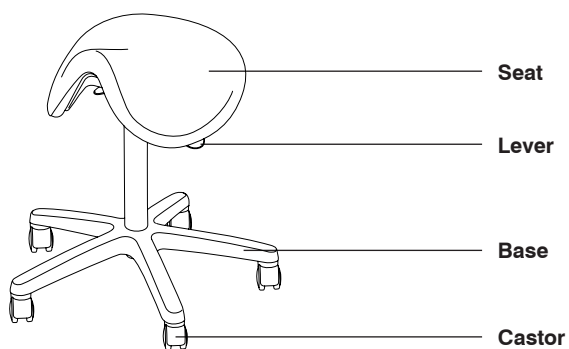


Table of contents

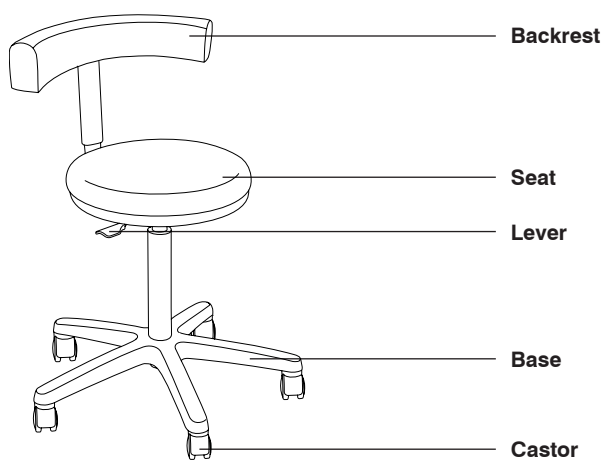
1.	Overview	3
1.1	Re.Forma Hi.	3
1.2	Re.Forma	3
1.3	Re.Forma Lite.	3
2.	Notes	4
2.1	Warranty / Liability	4
2.2	General information	4
3.	Introduction	4
3.1	Definitions	4
3.2	General warning	4
3.3	Documentation purpose	5
3.4	Responsibility limitations	5
3.5	Transport and storage	5
3.6	Packing disposal	5
3.7	Working chair disposal	5
4.	Equipment description	6
4.1	Intended use	6
4.2	Warranty	6
4.3	Identification and labelling	6
4.4	General features	7
4.5	Technical specifications	7
5.	Installation	8
5.1	Supply status	8
5.2	Unpacking	8
6.	Using the product	8
6.1	Model Re.Forma	8
6.2	Model Re.Forma Lite.	9
6.3	Model Re.Forma Hi.	9
7.	Maintenance	10
7.1	Cleaning	10
8.	Accessories	11
8.1	Castors	11
8.2	Footrest ring	11
8.3	Seat adjustment with foot plate control	11
8.4	Gas spring with different height ranges	11

1. Overview

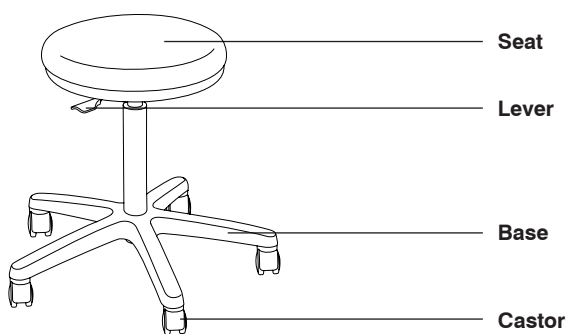
1.1 Re.Forma Hi.



1.2 Re.Forma



1.3 Re.Forma Lite.



2. Notes

2.1 Warranty / Liability

The warranty and liability for defects shall be governed by the General Terms and Conditions of Mikrona Technologie AG as of January 2016 (GTC). The GTC can be downloaded on the website of Mikrona Technologie AG (www.mikrona.com).



It is essential that this instruction manual be read by every user / operator before initially operating the working chair in order to prevent faulty operation and other damages.

The warranty claims are governed by the GTC. Furthermore, it is recommended to pay attention to the recommendations and warnings within the operating and maintenance instructions.

2.2 General information

This instruction manual is an integral part of the working chair. Always keep it easily accessible in close range of the product. Compliance with the operating instructions is condition to intended use and correct operation of the working chair. Instruct new employees appropriately and forward the operation manual to successors.

User / operator safety and failure-free operation of the working chair is only provided when using original components. Only use accessories that are listed in the operation manual or authorized by Mikrona Technologie AG for this particular purpose. The company Mikrona Technologie AG does not warrant secure operation and function if other accessories are used. Related damages may not be claimed under this warranty.



3. Introduction

3.1 Definitions

Important information in the operating instructions concerning the safety of individuals and the device are highlighted with the following terms and symbols:



Note

Contains important information, which should be highlighted with respect to the text.



Caution / Warning

Before conducting certain procedures this message may be displayed. If not observed, it could cause damage to the operator and the equipment.

3.2 General warning

Upon user request, the manufacturer agrees to provide list of component parts, calibration instructions or other information available, which will assist the user's technical personnel to conduct repairs to those parts of the chair which are considered repairable by the manufacturer.



Warning

The manufacturer will accept responsibility for the safety, reliability and performance of the equipment on the following conditions:

- The installation operations, modifications or repairs have been performed by authorised personnel.
- The equipment is utilized in accordance with the operating instructions.

3.3 Documentation purpose

This manual shows the Re.Formance line working chair and contains information regarding their correct use, functions, performances, maintenance, troubleshooting and corresponding solutions.

This manual is intended for the final user, the professional that uses the equipment to perform his job.

3.4 Responsibility limitations

The Manufacturer must be relieved of any responsibility in the following cases:

- Improper use or usage by untrained personnel for professional use
- Lack of maintenance or servicing
- Unauthorized modification or interventions
- Use of non-original spare parts, or not model-specific
- Failure to comply with the instructions (even partially)
- Exceptional events

3.5 Transport and storage

The equipment, if contained in its original packaging, may be exposed for a period of no more than 10 weeks to environmental conditions within the following ranges:

	Min	Max
Environment temperature	-5 °C	+40 °C
Relative humidity (condensation included)	10%	100%
Atmospheric pressure	500 hPa (mbar)	1060 hPa (mbar)

3.6 Packing disposal

All materials used for packaging are recyclable and respect the environment:

- Cardboard box
- Polythene film or bubblewrap

Please deliver the packing to an authorized landfill, for the recovery of these materials.

3.7 Working chair disposal

Working chair disposal does not present risk of any type.

For proper environmental safeguard, please deliver the working chair, now out of order, to an authorized landfill collecting recyclable and non-recyclable materials.

4. Equipment description

4.1 Intended use

The product described in this manual is a medical operator's working chair. It is intended to comply with the general requirements of a medical practitioner or his assistant during medical examinations or therapies (e.g. dental therapies, ENT, podiatry or gynaecology examinations).

4.2 Warranty



Note

Upholstery damage caused by contact with clothes or clothing accessories (e.g. belts) having metal, sharp, pointed or similar parts will not be replaced under warranty.



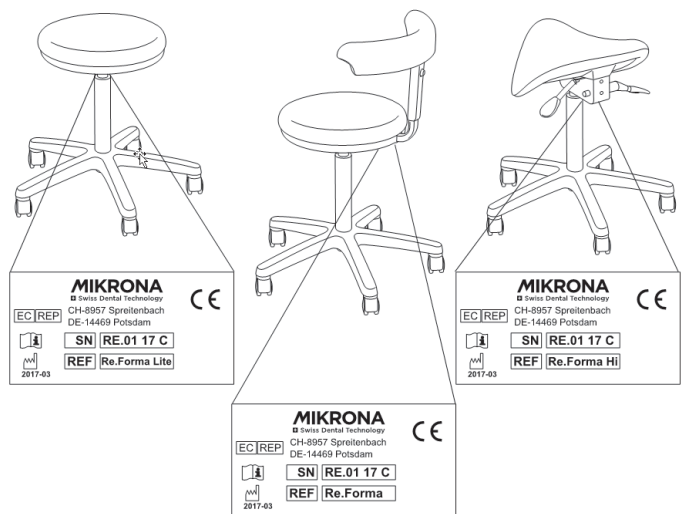
Caution

The use of disinfectants or detergents with a strong alcoholic content on the plastic components of the equipment may damage the surface of the product.

4.3 Identification and labelling

The working chair identification label is found outside the working chair under the seat. Here you can find the working chair model, the serial number and other information.

The figure shows the label position in the various versions and a facsimile.



4.4 General features

This chapter offers a full view of the main features of the Re.Formance line working chair. Moreover, it shows the main working chair versions, their components and their corresponding accessories (see chapter 8).

Legend

- Basic feature
- Feature not provided
- ◇ Optional feature

	Re.Forma	Re.Forma Lite	Re.Forma Hi
Swivelling base, black, on 5 non-braked castors	■	■	■
Saddle seat, adjustable in height and inclination	□	□	■
Round seat, adjustable in height	■	■	□
Symmetrical working chair, for use both on the right and on the left side of the patient chair	■	■	■
Aluminium base, black	■	■	■
Aluminium base, chrome-plated	◇	◇	◇
Seat adjustment with foot plate control	◇	◇	◇
Castors with friction	◇	◇	◇
Height adjustable footrest ring	◇	◇	◇
Standard gas spring	■	■	■
Short gas spring	◇	◇	◇
Backrest, adjustable in height	■	□	□
Backrest with integrated armrest	■	□	□

4.5 Technical specifications

The Re.Formance working chairs comply with Medical Device Directive 93/42/EEC and subsequent modifications.

		Re.Forma	Re.Forma Lite	Re.Forma Hi
Swivelling base, external diameter	mm	600	600	600
Seat height from the floor (min.) – with standard gas spring	mm	545	545	500
Seat height from the floor (max.) – with standard gas spring	mm	745	745	750
Seat height adjustment – with standard gas spring	mm	200	200	200
Seat height from the floor (min.) – with short gas spring	mm	415	415	420
Seat height from the floor (max.) – with short gas spring	mm	500	500	505
Seat height adjustment – with short gas spring	mm	85	85	85
Seat height from the floor (min.) – with standard gas spring and foot control	mm	585	585	590
Seat height from the floor (max.) – with standard gas spring and foot control	mm	685	685	690
Seat height adjustment – with standard gas spring and foot control	mm	100	100	100
Seat height from the floor (min.) – with short gas spring and foot control	mm	525	525	530
Seat height from the floor (max.) – with short gas spring and foot control	mm	575	575	580
Seat height adjustment – with short gas spring and foot control	mm	50	50	50
Seat tilting angles	deg	-	-	-8°/+6°
Seat width	mm	380	380	450x350
Backrest height adjustment	mm	60	-	-
Gross Weight	kg	18	13	13
Net Weight	kg	13	8	8
Safe working load	kg	135	135	135
Packing dimensions	mm	620x620 x940(h)	620x620 x940(h)	620x620 x940(h)

5. Installation

5.1 Supply status

The following elements must be contained inside the packaging:

- A Re.Formance line working chair
- An operating instruction manual

In case of mistake or missing parts, contact the dealer to manage the problem.

5.2 Unpacking

To remove the packing, it is necessary to remove the staples, which close the upper portion of the cardboard box.

It is recommended to take the working chair out of the cardboard box by lifting it from the top, after having removed the polystyrene block, which keeps the working chair in its correct packing position.

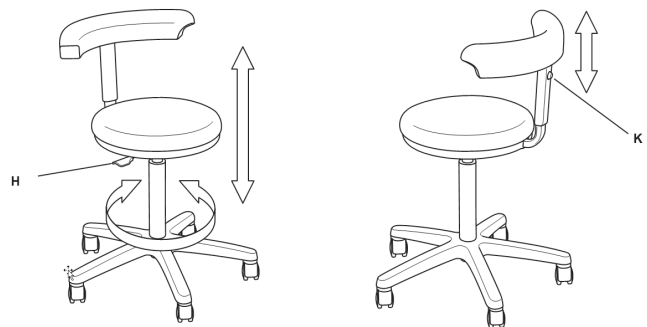
Once the plastic bag has been removed, the working chair is ready for use.

6. Using the product

6.1 Model Re.Forma

Description

It offers a wide circular seat adjustable in height and an ambidextrous backrest. This characteristic makes it also suitable for a medical assistant.



Controls

The figure shows the available controls for the Re.Forma working chair. They consist essentially in a lever (H), placed under the seat, and a knob (K) placed on the backrest.

Seat height adjustment

In order to adjust the working chair seat height in a comfortable way, it is recommended to sit on the working chair and use your own body weight.

- To lower the seat, keep pulled the lever H. The seat moves downwards under the operator's body weight.
- To raise the seat, keep pulled the lever H while standing up to eliminate body weight pressure on the working chair. The seat moves upwards.

Backrest height adjustment

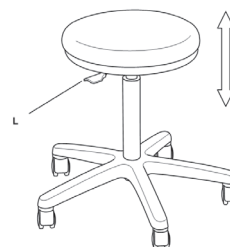
In order to adjust the backrest height in a comfortable way, it is recommended to operate from the back of the working chair.

- Grab the backrest.
- Press the knob K.
- Raise or lower the backrest to the desired position.
- Release the knob K.

6.2 Model Re.Forma Lite.

Description

The Re.Forma Lite is the simplest version among the three available ones. It offers a wide circular seat adjustable in height.



Controls

The figure shows the available controls for the working chair. They consist essentially in a lever (L), placed under the seat, that controls the manual movements of seat height adjustment.

Seat height adjustment

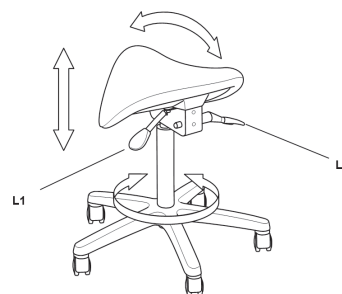
In order to adjust the working chair seat height in a comfortable way, it is recommended to sit on the working chair and to use your own body weight.

- To lower the seat, keep pulled the lever L. The seat moves downwards under the operator's body weight.
- To raise the seat, keep pulled the lever L while standing up to eliminate body weight pressure on the working chair. The seat moves upwards.

6.3 Model Re.Forma Hi.

Description

The Re.Forma Hi working chair was designed for all the practitioners that need a correct posture of the vertebral column even without a backrest supporting them. Seat tilt position adjustment allows to find a suitable working position, and relax the vertebral column by transmitting the weight directly to the legs instead of the lower back.



Controls

The figure shows the available controls for the working chair. They consist of 2 levers (L1 and L2), placed under the seat, that control the manual movements of the working chair itself.

To adjust the working chair in the most comfortable way, it is recommended to sit on the working chair and to use your own body weight.

Seat height adjustment

- To lower the seat, keep pulled the lever L1. The seat moves downwards under the operator's body weight.
- To raise the seat, keep pulled the lever L1 while standing up to eliminate body weight pressure on the working chair. The seat moves upwards.

Seat tilt position adjustment

To adjust the seat tilt position in the most comfortable way, it is recommended to sit on the working chair and to use your own body weight. Then, follow these instructions:

- Keep the lever L2 pulled.
- Move your body weight along the seat to find the desired position.
- Release the lever L2.

7. Maintenance

Re.Formance working chairs are made to require no maintenance during their life. Thus there are no specific adjustments to be carried out at any time.



If the working chair is not used for some time, it is recommended to cover it in order to protect it against dust.



Warning

It is recommended to have any technical adjustment as well as any repair of the working chair carried out by specialized maintenance technicians.

7.1 Cleaning

For a better and longer life of the equipment, it is necessary to perform an accurate, methodical and periodical general cleaning of the working chair. It is recommended to proceed as follows.



Caution

The use of disinfectants or detergents with a strong alcoholic content on the plastic components of the apparatus may damage the surface of the product. It is recommended to avoid the use of any dissolvent, strong detergent or abrasive agent, even to remove "tenacious" stains.

Upholsteries

The machined working chair upholstery has to be cleaned using a non-alcoholic disinfectant and a soft cloth to avoid any surface scratching and to guarantee a better elasticity and smoothness of the surface.

Plastic or metallic parts

The polyurethane parts, as well as the metal parts (painted and not painted) have to be cleaned with a soft cloth dipped in water and soap.

8. Accessories

8.1 Castors

The working chair can be equipped with various types of castors. The basic version is provided with non-braked castors.

Castors with friction

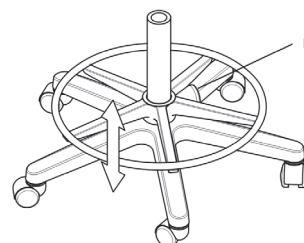
Independently from other characteristics (black or chrome-plated, normal or anti-static wheels), upon request it is possible to mount castors with friction. These castors allow the working chair to move only when the operator is correctly seated on it, in order to guarantee maximum safety and prevent the working chair rolling away from the operator when sitting down.

8.2 Footrest ring

Upon request at the moment of placing the order, the working chair can be equipped with a footrest ring. Such footrest helps the operator's comfort, allowing him to vary the leg position while working.

The footrest has a lever that allows height adjustment. To adjust it, proceed as follows:

- Unscrew the knob P at the centre of the ring.
- Set the desired footrest height.
- Tighten the knob P again.

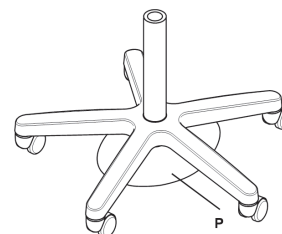


8.3 Seat adjustment with foot plate control

Upon request at the moment of placing the order, the working chair can be equipped with a seat height adjustment via a foot control. In order to adjust the working chair seat height in a comfortable way, it is recommended to sit on the working chair and to use your own body weight.

The footrest has a plate that allows height adjustment. To adjust it, proceed as follows:

- To lower the seat, keep pushed the plate P downwards by pressing on one side. The seat moves downwards under the operator's body weight.
- To raise the seat, keep pushed the plate P while standing up to eliminate body weight pressure on the working chair. The seat moves upwards.



Caution
Do not push the plate at two or more sides at the same time.



When the working chairs are provided with foot control, the lever that controls seat height has no function.

8.4 Gas spring with different height ranges

Re.Formance line working chairs can be equipped, upon request at the moment of placing the order, with a shortened gas spring, in order to suit the specific needs of some operators.

The manufacturer pursues a policy of continuous product development.
Therefore, it reserves all rights to change the technical and aesthetical characteristics of the product at any time.